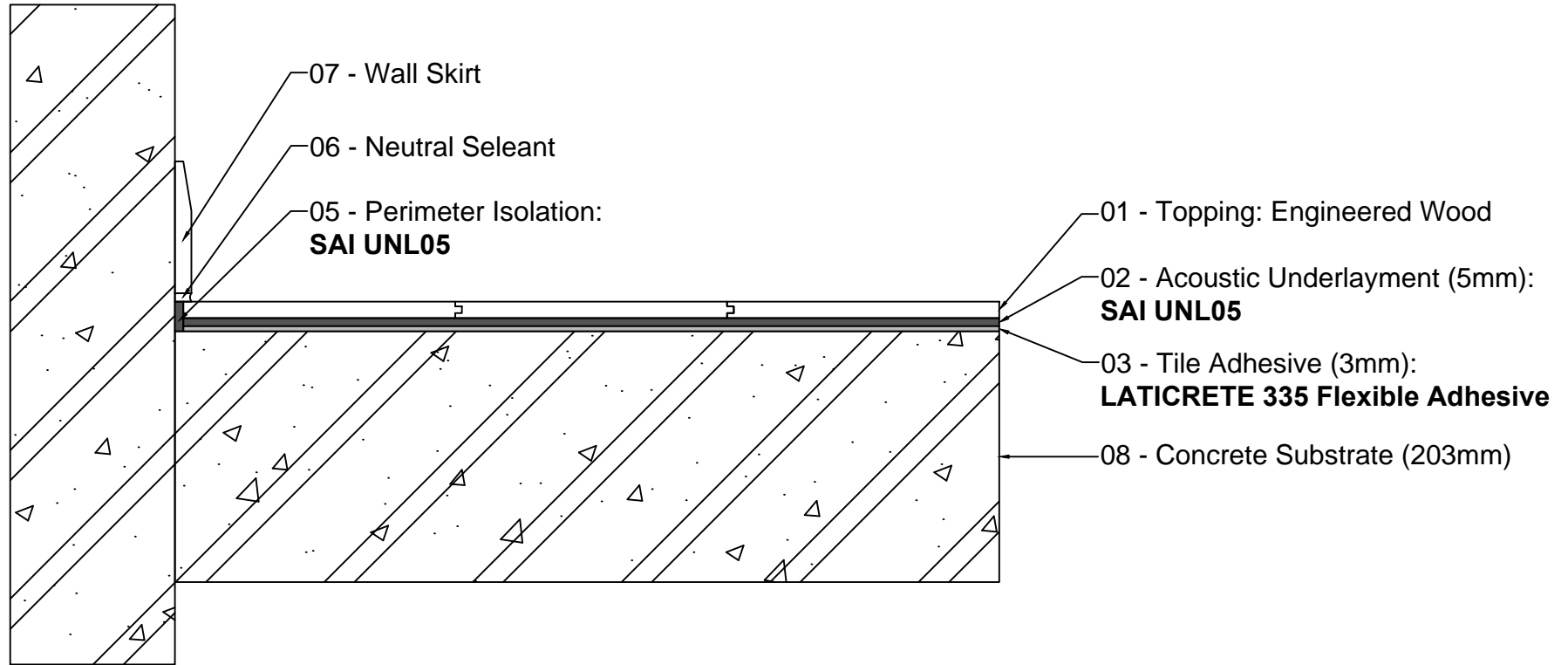



**SAI UNL05**  
**IMPACT & AIRBORNE NOISE CONTROL SYSTEM**  
 For Engineered Wood Finished Floors



 <p><b>VK ASIA</b> Innovative Building Materials</p> <p><b>VK Asia Company Limited</b>                  Mobile   Zalo   Whatsapp: 098 132 0674                  Email: vkasiaco@gmail.com                  Internet: vkasia.vn</p>	<b>ACOUSTIC APPLICATION</b>	<b>ASSEMBLY INFORMATION</b>		<b>ACOUSTIC PERFORMANCE</b> (Without suspended Ceiling)	
	<b>IMPACT &amp; AIRBORNE NOISE CONTROL SYSTEM</b>	Floor Topping:	Engineered Wood		<div style="display: flex; justify-content: space-around; align-items: center;"> <div style="border: 1px solid black; border-radius: 50%; padding: 10px; text-align: center;"> <b>58</b> IIC                     </div> <div style="border: 1px solid black; border-radius: 50%; padding: 10px; text-align: center;"> <b>54</b> STC                     </div> </div>
		Acoustic Underlayment:	<b>SAI UNL05</b>		
		Installation:	Under Floor Topping		
		Installation Method:	Bonded		
Application Area:	Dry				