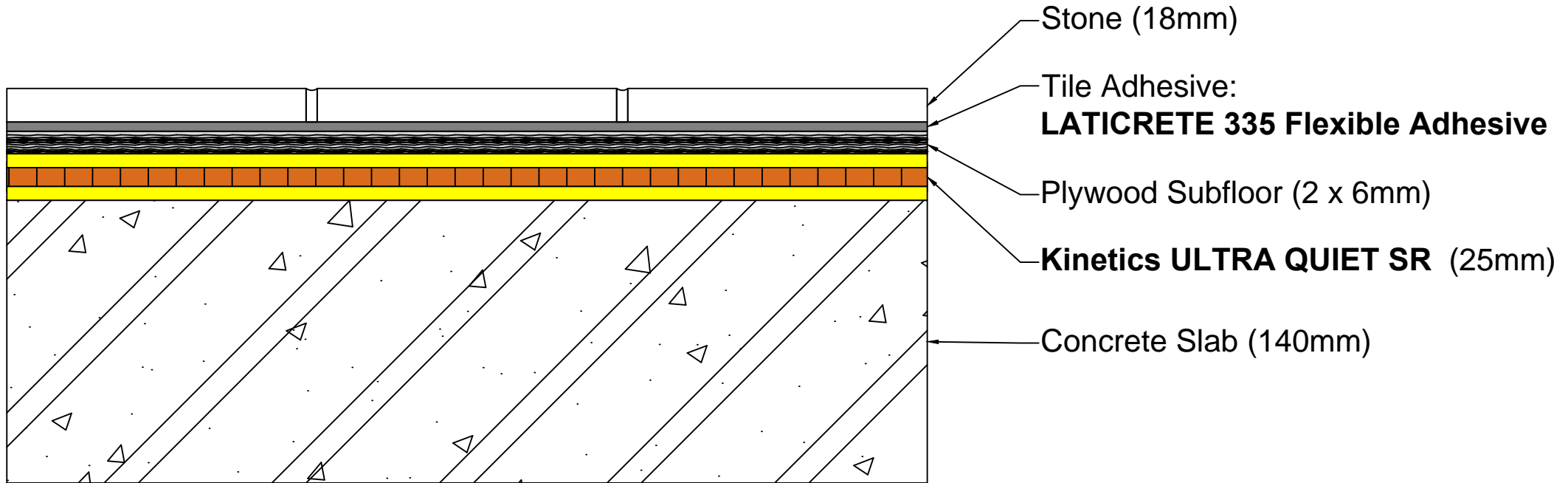





Kinetics ULTRA QUIET SR
High Performance Noise Control Underlayment



Important Note: An IIC rating will generally be 5 points higher than a F-IIC (AIRC) rating. The IIC is conducted at a laboratory where flanking is controlled. The F-IIC (AIRC) is conducted in the field where flanking is not as controllable, hence the 5 point difference.

 <p>VK ASIA Innovative Building Materials</p> <p>VK Asia Company Limited Mobile Zalo Whatsapp: 098 132 0674 Email: vkasiaco@gmail.com Internet: vkasia.vn</p>	ACOUSTIC APPLICATION	BUILD-UP INFORMATION		ACOUSTIC PERFORMANCE (Without Suspended Ceiling)		
	Sound Rated Floor System	Floor Topping:	Stone (10mm -16mm)		 <p>IIC 64</p> <p>Extrapolation Rating</p>	 <p>FIIC 59</p> <p>Based on Test Report</p>
		Acoustic Underlayment:	Kinetics Ultra Quiet SR (25mm)			
		Subfloor:	Plywood (2 x06mm)			
		Installation Method:	Unbonded			
Application Area:	Dry					